

FLEX-4

FLEXIBLE EXTRACTION ARM

The Flex-4 is a flexible extraction arm with a rotatable hood *RotaHood*. Incorporated into the hood is a throttle valve that can be fully opened, partially opened or completely closed to control airflow at hood opening. The arm features a focus extraction spoiler, which directs the air into the hood.

The arm is provided with an *EasyLift* advanced friction system for light, user friendly positioning of the arm.

The Flex-4 is suitable for both mobile and stationary welding fume extraction systems.



APPLICATIONS

The Flex-4 is intended to be used for the following applications:

- MIG-MAG/GMAW welding
- TIG welding
- FCAW welding
- stick/MMAW welding



Do **not** use the Flex-4 for the following applications or in the following circumstances:

- arc-air gouging
- aluminium laser cutting
- extraction of aggressive fumes and gases (e.g. from acids, from alkaline, from soldering paste containing lithium)
- extraction of hot gases (more than 45°C/113°F continuously)
- grinding aluminum and magnesium
- flame spraying
- extraction of cement, saw dust, wood dust etc.
- sucking cigarettes, cigars, oiled tissues and other burning particles, objects and acids
- explosive environments or explosive substances/gases



SPECIFICATIONS

Physical dimensions and properties

| | |
|----------------------------------|--|
| Arm length | 4 m (13 ft) |
| Diameter | 203 mm (8 in.) |
| Material: | |
| • tubes and hood | • polypropylene copolymere with UV stabilization |
| • hoses | • PVC with metal springs |
| • throat | • ABS |
| • handle, rim and grid | • nylon, glass fibre reinforced |
| Max. temperature (continuously): | |
| • tubes and hood | • 80°C (176°F) |
| • hoses | • 80°C (176°F) |
| • throat | • 80°C (176°F) |
| • handle, rim and grid | • 95°C (203°F) |
| Colour: | |
| • tubes and hood | • yellow RAL 1028 |
| • hoses | • grey RAL 7024 |
| Weight (net) | 17 kg (37.5 lbs) |

Performance

| | |
|--|---|
| Airflow | max. 1600 m ³ /h (942 CFM) |
| Ambient conditions | |
| Operating temperature: | |
| • min. | • 5°C (41°F) |
| • nom. | • 20°C (68°F) |
| • max. | • 45°C (113°F) |
| Max. relative humidity | 80% |
| Outdoor use allowed | no |
| Storage conditions | • 5-45°C (41-113°F) • relative humidity max. 80% |
| Product combinations | |
| NMB | wall bracket |
| NMB + FAN-28 | wall bracket + fan |
| NMB + FAN-42 | |
| NEC-2/4 | extension crane |
| NEC-2/4 + FAN-42 | extension crane + fan |
| MFD, MFS, MFE | mobile unit |
| Available options | |
| WL | working light |
| WL+AST | working light + automatic start/stop |
| Scope of supply | |
| Extraction arm - Hood - Rotating hinge (flange, collar, spring) - Hose 50 cm - Bush (4) - Hardware | |
| Order information | |
| Article number | 7925210090 |
| Number/package | 1 |
| Shipping data | |
| Gross weight | 23 kg (50.5 lbs) |
| Packing dimensions | 210 x 30 x 45 cm (82.7 x 11.8 x 17.7 in.) |
| Max. number/pallet | 6 |
| Harmonized Tariff Code | 8421.9900.99 |
| Country of origin | the Netherlands |

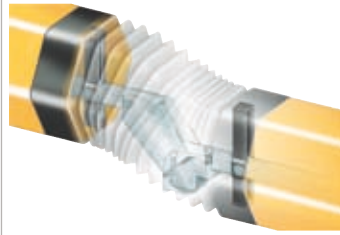
■ Approvals/certificates



EU Directive 2002/95/EC
(RoHS) (valid as of July 2006)

FEATURES

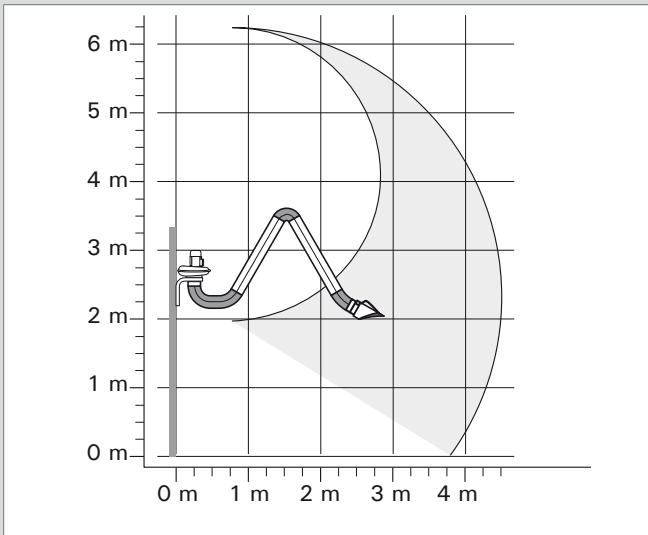
EasyLift balance system



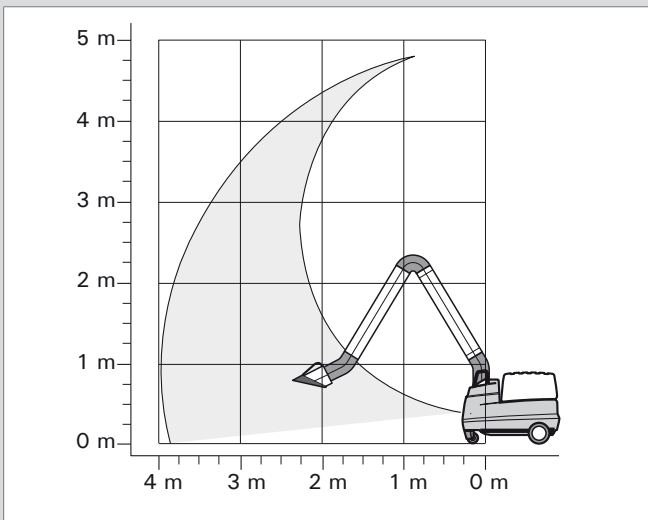
RotaHood 360° rotatable hood



REACH

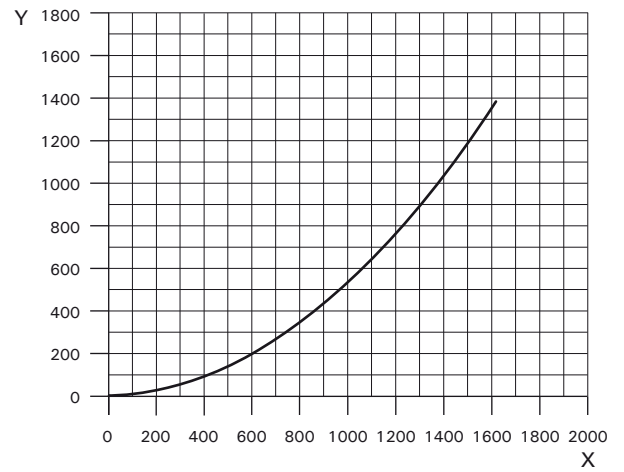


Flex-4 on wall mounting bracket



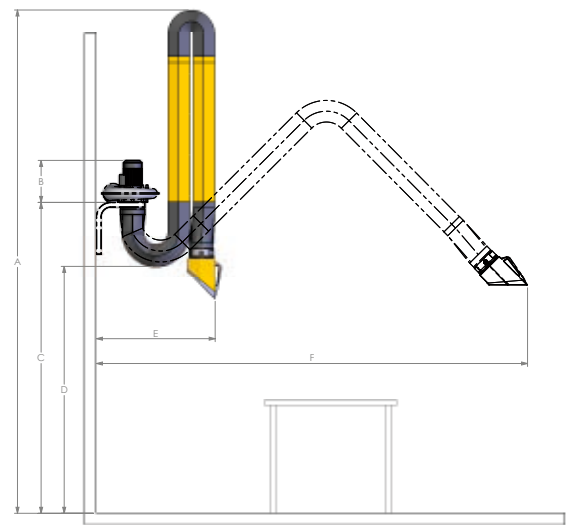
Flex-4 on mobile unit

PRESSURE DROP



X = Airflow (m³/h)
Y = Static pressure (Pa)

MOUNTING MEASUREMENTS



| | mm | inch |
|---|-----------|----------|
| A | 4015 | 158 |
| B | 360 | 14.2 |
| C | 2565 | 101 |
| D | 2310 | 91 |
| E | min. 915 | min. 36 |
| F | max. 4520 | max. 178 |

Flex-4 + NMB + FAN-28

Product type

Flex-4

Article no.

7925210090

Product category

extraction arms/hoses

Version

270510/C

Always check the latest version on www.plymovent.com