

MNF

PORTABLE EXTRACTION FAN

The MNF is a portable fan that provides extraction in confined spaces and other hard to reach areas. For this purpose an extraction hose needs to be connected. Exhaust and/or extension hose is optional.

The MNF is mounted on a frame for easy removal.
A motor protection switch prevents overheating of the motor.
The MNF does not provide filtration.



APPLICATIONS

The MNF is intended to be used for the following applications:

- MIG-MAG/GMAW welding
- TIG welding
- FCAW welding
- stick/MMAW welding



Do **not** use the MNF for the following applications or in the following circumstances:

- arc-air gouging
- aluminium laser cutting
- extraction of aggressive fumes and gases (e.g. from acids, from alkaline, from soldering paste containing lithium)
- extraction of hot gases (more than 45°C/113°F continuously)
- grinding aluminum and magnesium
- flame spraying
- extraction of cement, saw dust, wood dust etc.
- sucking cigarettes, cigars, oiled tissues and other burning particles, objects and acids
- explosive environments or explosive substances/gases



SPECIFICATIONS

Physical dimensions and properties



| | |
|-----------------|--|
| Material: | <ul style="list-style-type: none"> • polypropylene • powder coated steel |
| Colour: | <ul style="list-style-type: none"> • Housing: grey RAL 7024 • Motor: black RAL 9005 • Frame: black RAL 9005 |
| Inlet diameter | Ø 160 mm (Ø 6.30 in.) |
| Outlet diameter | Ø 160 mm (Ø 6.30 in.) |
| Weight (net) | 17 kg (37.5 lbs) |
| Supply cable | 6 m (19.7 ft); without plug |

Performance

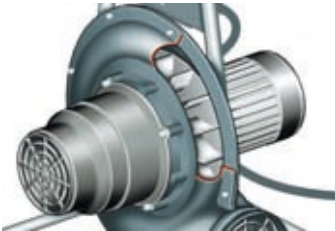

| | |
|--------------------------|--|
| Fan type | radial |
| Unrestricted airflow | 2400 m ³ /h (1413 CFM) |
| Net extraction capacity: | <ul style="list-style-type: none"> • MNF + SUS-5/160: 1.300 m³/h (765 CFM) • MNF + SUS-5/160 + EXS-5/160: 1.150 m³/h (677 CFM) |

| | |
|-------------------------------|--|
| Speed | 2800 rpm |
| Noise level (incl. SUS-5/160) | 69 dB(A) according to ISO 3746 |
| Electrical data | |
| Power consumption | 0,75 kW (1 HP) |
| Available connection voltages | 115V/1~/50Hz; 230V/1~/50Hz; 230V/3~/50Hz; 400V/3~/50Hz; 230V/3~/60Hz; 400V/3~/60Hz |
| Insulation class | F |
| Protection class | IP 55 |
| Ambient conditions | |
| operating temperature: | <ul style="list-style-type: none"> • min.: 5°C (41°F) • nom.: 20°C (68°F) • max.: 45°C (113°F) |
| Max. relative humidity | 80% |
| Outdoor use allowed | no |
| Storage conditions | <ul style="list-style-type: none"> • 5-45°C (41-113°F) • relative humidity max. 80% |
| Product combinations | |
| SUS-5/160 (compulsary) | flexible extraction hose 5 m/16.5 ft |
| Available options | |
| EXS-5/160 | exhaust/extension hose 5 m/16.5 ft (max. hose length: total 20 m/66 ft) |
| Scope of supply | |
| Portable fan - Hardware | |
| Order information | |
| Article numbers: | <ul style="list-style-type: none"> • MNF 115V/1~/50Hz • MNF 230V/1~/50Hz • MNF 230V/3~/50Hz • MNF 400V/3~/50Hz • MNF 230V/3~/60Hz • MNF 400V/3~/60Hz |
| Number/package | 1 |

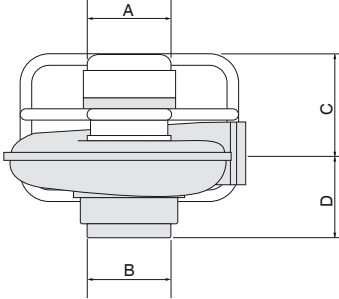
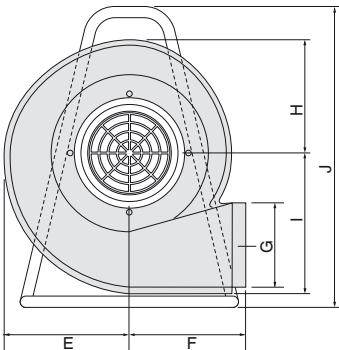
| | |
|------------------------|---|
| ■ Shipping data | |
| Gross weight | 20 kg (44 lbs) |
| Packing dimensions | 50 x 60 x 50 cm (19.7 x 23.6 x 19.7 in.) |
| Max. number/pallet | |
| Harmonized Tariff Code | 8414.5940.90 |
| Country of origin | the Netherlands |

| | |
|---|---|
| ■ Approvals/certificates | |
|  | |
|  | EU Directive 2002/95/EC (RoHS) (valid as of July 2006) |

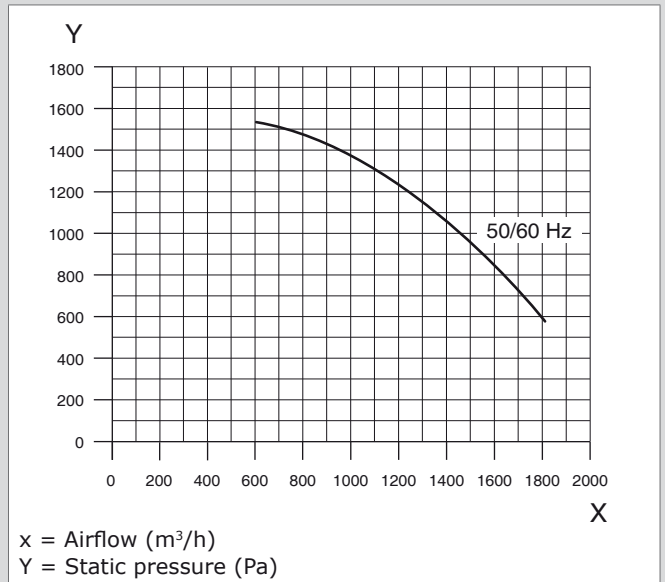
FEATURES

| | |
|-------------------------|--|
| Radial fan wheel |  |
| Motor protection switch |  |

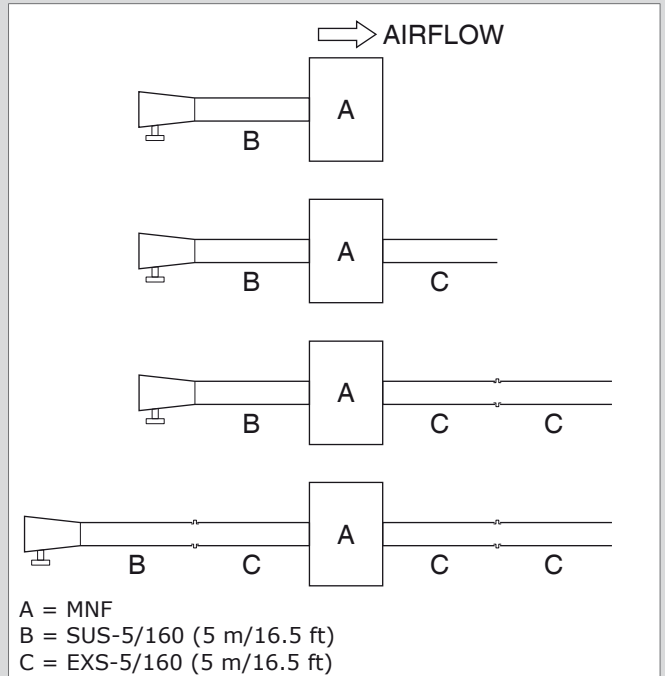
DIMENSIONS

|  | | | | | | | | | | | | | | | | | | | | | | | | | | | | | | | | | | |
|---|---|--------|----|------|---|-------|--------|---|-------|--------|---|-----|-------|---|-----|------|---|-----|------|---|-----|------|---|-------|--------|---|-----|------|---|-----|-------|---|-----|-------|
|  | | | | | | | | | | | | | | | | | | | | | | | | | | | | | | | | | | |
| | <table border="1"> <thead> <tr> <th></th> <th>mm</th> <th>inch</th> </tr> </thead> <tbody> <tr> <td>A</td> <td>Ø 160</td> <td>Ø 6.30</td> </tr> <tr> <td>B</td> <td>Ø 160</td> <td>Ø 6.30</td> </tr> <tr> <td>C</td> <td>300</td> <td>11.81</td> </tr> <tr> <td>D</td> <td>180</td> <td>7.09</td> </tr> <tr> <td>E</td> <td>250</td> <td>9.84</td> </tr> <tr> <td>F</td> <td>230</td> <td>9.06</td> </tr> <tr> <td>G</td> <td>Ø 160</td> <td>Ø 6.30</td> </tr> <tr> <td>H</td> <td>225</td> <td>8.86</td> </tr> <tr> <td>I</td> <td>275</td> <td>10.83</td> </tr> <tr> <td>J</td> <td>587</td> <td>23.11</td> </tr> </tbody> </table> | | mm | inch | A | Ø 160 | Ø 6.30 | B | Ø 160 | Ø 6.30 | C | 300 | 11.81 | D | 180 | 7.09 | E | 250 | 9.84 | F | 230 | 9.06 | G | Ø 160 | Ø 6.30 | H | 225 | 8.86 | I | 275 | 10.83 | J | 587 | 23.11 |
| | mm | inch | | | | | | | | | | | | | | | | | | | | | | | | | | | | | | | | |
| A | Ø 160 | Ø 6.30 | | | | | | | | | | | | | | | | | | | | | | | | | | | | | | | | |
| B | Ø 160 | Ø 6.30 | | | | | | | | | | | | | | | | | | | | | | | | | | | | | | | | |
| C | 300 | 11.81 | | | | | | | | | | | | | | | | | | | | | | | | | | | | | | | | |
| D | 180 | 7.09 | | | | | | | | | | | | | | | | | | | | | | | | | | | | | | | | |
| E | 250 | 9.84 | | | | | | | | | | | | | | | | | | | | | | | | | | | | | | | | |
| F | 230 | 9.06 | | | | | | | | | | | | | | | | | | | | | | | | | | | | | | | | |
| G | Ø 160 | Ø 6.30 | | | | | | | | | | | | | | | | | | | | | | | | | | | | | | | | |
| H | 225 | 8.86 | | | | | | | | | | | | | | | | | | | | | | | | | | | | | | | | |
| I | 275 | 10.83 | | | | | | | | | | | | | | | | | | | | | | | | | | | | | | | | |
| J | 587 | 23.11 | | | | | | | | | | | | | | | | | | | | | | | | | | | | | | | | |

FAN CURVE



POSSIBLE CONFIGURATIONS



| | |
|------------------|---|
| Product type | MNF |
| Article no. | refer to order information |
| Product category | portable/mobile welding fume extractors |
| Version | 220710/A |

Always check the latest version on www.plymovent.com.