

## SFD

### STATIONARY WELDING FUME FILTER

The SFD is a wall-mounted filter unit that provides filtration for use with one (FAN-28 or FAN-42) or two (FAN-28) fans and extraction arms.

The SFD features an aluminum spark arrester and a square disposable cellulose filter cartridge. This filter cartridge is provided with a precoat to extend the lifespan and the efficiency of the filter. A filter pollution indicator indicates when filter replacement is required. The SFD requires no electricity.



#### APPLICATIONS

The SFD is intended to be used for the following applications:

- MIG-MAG/GMAW welding (annual use: <700 kg/1500 lbs)
- TIG welding
- FCAW welding (annual use: <700 kg/1500 lbs)
- stick/MMAW welding (annual use: <500 kg/1100 lbs)



Do **not** use the SFD for the following applications or in the following circumstances:

- arc-air gouging
- aluminium laser cutting
- oil mist
- heavy oil mist in welding fume
- extraction of aggressive fumes and gases (e.g. from acids, from alkaline, from soldering paste containing lithium)
- extraction of hot gases (more than 45°C/113°F continuously)
- grinding aluminum and magnesium
- flame spraying
- extraction of cement, saw dust, wood dust etc.
- sucking cigarettes, cigars, oiled tissues and other burning particles, objects and acids
- explosive environments or explosive substances/gases



#### SPECIFICATIONS

##### Physical dimensions and properties

Material	polypropylene
Colour:	
• Filter cover	• yellow RAL 1028
• Bottom housing	• grey RAL 7024
Weight (net)	30 kg (66 lbs)

#### FILTERS

Material:	
• Pre filter	• aluminium
• DuraFilter FCC-50	• cellulose/polyester fibres + polyurethane + cardboard
Filter surface area:	
• Pre filter	• 0,5 m <sup>2</sup> (5.38 ft <sup>2</sup> )
• DuraFilter FCC-50	• 50 m <sup>2</sup> (538 ft <sup>2</sup> )
Treatment	SurfacePlus precoat on DuraFilter FCC-50

Efficiency:	
• Pre filter	• 80% < 90%
• DuraFilter FCC-50	• >99%
Filter class:	
• Pre filter	• G3 according to DIN EN 779
• DuraFilter FCC-50	• L according to NEN EN IEC 60335-2-69
<b>Performance</b>	
Airflow:	
• 1 arm	• 1250 m <sup>3</sup> /h (735 CFM)
• 2 arms	• 1700 m <sup>3</sup> /h (1000 CFM)
<b>Ambient conditions</b>	
Operating temperature:	
• min.	• 5°C (41°F)
• nom.	• 20°C (68°F)
• max.	• 45°C (113°F)
Max. relative humidity	80%
Outdoor use allowed	no
Storage conditions	• 5-45°C (41-113°F) • relative humidity max. 80%
<b>Product combinations</b>	
FAN-28/42	extraction fan
T-Flex, Flex-2, (Ultra)Flex-3/4, UltraFlex-4/LowCeiling	extraction arm
<b>Scope of supply</b>	
Filter unit - Mounting plate	
<b>Order information</b>	
Article number	7435000000
Number/package	1
<b>Shipping data</b>	
Gross weight	41 kg (90.5 lbs)
Packing dimensions	88 x 79 x 102 cm (34.6 x 31.1 x 40.2 in.)
Max. number/pallet	2
Harmonized Tariff Code	8421.39.2090
Country of origin	the Netherlands

## FEATURES

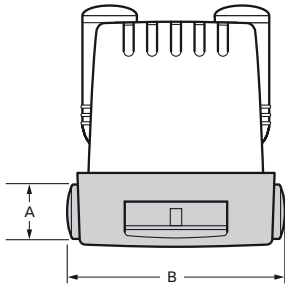
Large filter surface area



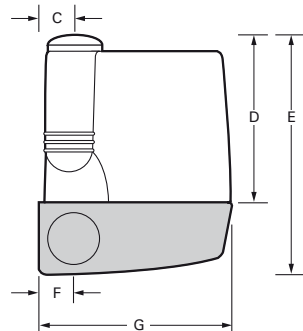
Filter pollution indicator



## DIMENSIONS

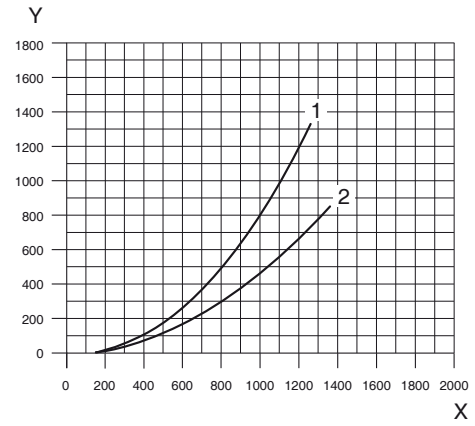


	mm	inch
A	Ø 160-200	Ø 6.30-7.87
B	810	31.9



	mm	inch
C	130	5.12
D	640	25.2
E	900	35.4
F	130	5.12
G	730	28.7

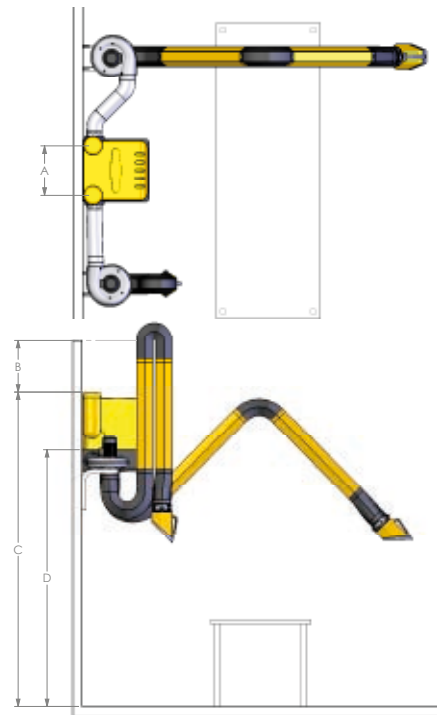
## PRESSURE DROP



X = Airflow (m<sup>3</sup>/h)  
Y = Static pressure (Pa)

1 = Clogged filter  
2 = Clean filter

## MOUNTING MEASUREMENTS



	mm	inch	remarks
A	520	20.5	
B	min. 700	min. 27.5	to exchange filter
C	3425	134.8	
D	2745	108.1	height mounting bracket SFD

SFD + 2x (Ultra)Flex-4

Product type	<b>SFD</b>
Article no.	7435000000
Product category	Stationary welding fume filters
Version	240610/C

Always check the latest version on [www.plymovent.com](http://www.plymovent.com).